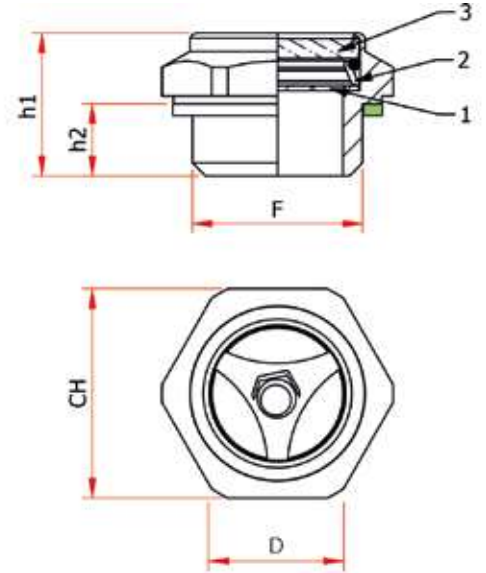


## SM - OIL LEVEL INDICATOR - ALUMINUM AND CRYSTAL CLEAR PLASTIC



- 1 - Contrast screen
- 2 - Spacer
- 3 - Plastic viewer

Threaded hex-head oil level indicator. Internal contrast screen in aluminum helps the control of the level inside the tank.

-**Material:** aluminum alloy.

-**Lens:** transparent PA Polyamide, compatible with mineral and synthetic oils, diesel, brake fluid and some unleaded fuel; avoid contact with alcohol based solutions and antifreeze liquids, especially at high temperatures.

-**Sealing:** flat fiber gasket.

-**Maximum working temperature:** 90°C/194°F.

-**Max operating pressure:** 5 bar/14,5 PSI.

### Special versions

**Sealing:** flat aluminium gasket.

Cod.	F	CH	D	h1	h2	Nm	Weight gr	Pack.
SM/14	G.1/4"	17	19	18,8	8	4	5	100
SM/38	G.3/8"	22	24	18	9	10	9	100
SM/12	G.1/2"	27	29,5	20	9	15	15	100
SM/34	G.3/4"	32	35,5	22	11	22	22,5	50
SM/1	G.1"	40	44	22	10	25	35	50
SM/114	G. 1 1/4"	50	55	27	12	-	60	5
SM/112	G. 1 1/2"	55	62	26	13	-	80	5
SM/14.15	M14x1,5	17	18,5	17	8	4	5	100
SM/16.15	M16x1,5	22	24	18	9	10	8,5	100
SM/18.15	M18x1,5	22	24	18	9	12	14	100
SM/20.15	M20x1,5	24	26,5	21	10	15	12	100
SM/22.15	M22x1,5	27	29,5	20	9	15	15	100
SM/24.15	M24x1,5	30	33,5	24	11	18	22,5	100